



Hybridisation Incubators

Hybrigene and Hybridiser

The Techne® name has long been associated with quality incubators for hybridisation. Designed to deliver the accurate temperature and speed control that is vital for producing quality results with every run. Versatile tube formats allowing small probe volumes and the ability to perform various applications simultaneously, is common to both models. Ideal for blotting techniques in which RNA, DNA or protein are immobilised onto nylon or nitrocellulose filters.

Page 20	Hybrigene
Page 20	HB-1D
Page 22	Hybridisation Accessories
Page 23	Incubator Accessories

Find out more! Please scan the QR/Mobile Tag with your smartphone for more information



Hybrigene and Hybridiser

Hybridisation Incubators

The flexibility you need with the quality you expect from an established world leader in temperature control instrumentation. Ideal for blotting techniques in which RNA, DNA or protein are immobilised onto nylon or nitrocellulose filters.

- Tubes and other accessories can be accommodated together for multiple uses
- Low probe volume, even with large glass tubes. Rotation and design ensure volumes as low as 5ml can be used and recovered
- Unique "slot-in" tubes; with tube rotation speed of 0 to 20 rpm; controllable to suit your application
- Radioactive safe; protective casing and non-drip tube design minimises risk to the user.
- Adjustable feet; for levelling on uneven surfaces
- Drip tray; removable for easy cleaning

Hybrigene

- Temperature range from 10°C above ambient to 80°C
- Can hold up to 16 mini or 4 large glass tubes
- Flexibility at an affordable price, offering excellent temperature accuracy and uniformity
- The Hybrigene is a compact, stackable alternative to the Hybridiser HB-1D
- Stack up to 3 ovens, saving on valuable laboratory space

Hybridiser HB-1D

- The Hybridiser HB-1D is easy to use and provides complete protection from hybridisation hazards
- Temperature from 10°C above ambient to 100°C
- High capacity; can hold up to 24 mini tubes or 6 unique large tubes
- Hybridisations can be performed with a minimal volume of 5ml of probe
- Adjustable feet to enable accurate levelling
- Unique double-glazed glass door; quiet and safe, providing durable protection



Hybrigene



HB-1D Hybridiser

Hybrigene and Hybridiser

Hybridisation Incubators

Technical Specification

	Hybrigene	Hybridiser HB-1D
Maximum glass tube capacity	16 mini tubes	24 mini tubes
Maximum temperature	80°C	100°C
Minimum temperature	10°C above ambient	10°C above ambient
Adjustable rotation speed	0, 5 to 20 rpm	0, 5 to 20 rpm
Adjustable rocking platform	5-20 or 15-60opm	5-20 or 15-60opm
Stability in chamber	<1.0°C	<1.0°C
Stability in tubes	<±0.1°C	<±0.1°C
Uniformity in chamber	<±1.5°C	<±1.5°C
Uniformity in tube	<±0.5°C	<±1.0°C
Temperature set point resolution	0.1°C	0.1°C
Absolute accuracy	<±0.3°C	<±0.3°C
Dimensions (l x w x h), mm	355 x 383 x 432	285 x 385 x 555
Voltage	230V, 50-60Hz	230V, 50-60Hz
Power	750W	750W
Shipping Weight, kg	21	24

Ordering Information

Description	Product codes		
	230V	120V	100V
Hybrigene hybridisation incubator	FHB4DD	FHB4DP	FHB4DY
Note: No tubes supplied with these units, please order separately			
Hybrigene hybridisation incubator (includes 4 large hybridisation tubes FHB16)	FHB4DDT	-	-

Hybridisation HB-1D Ordering Information

Description	Product codes		
	230V	120V	100V
Hybridiser HB-1D hybridisation incubator	FHB1DE	FHB1DQ	FHB1DK

Hybridisation Accessories

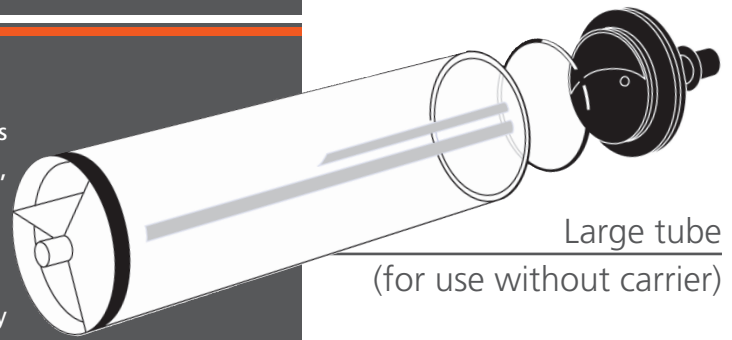
Hybridisation Incubators

Versatile multiple tube formats; mix and match sizes within an instrument to cater for different throughputs, users and applications.

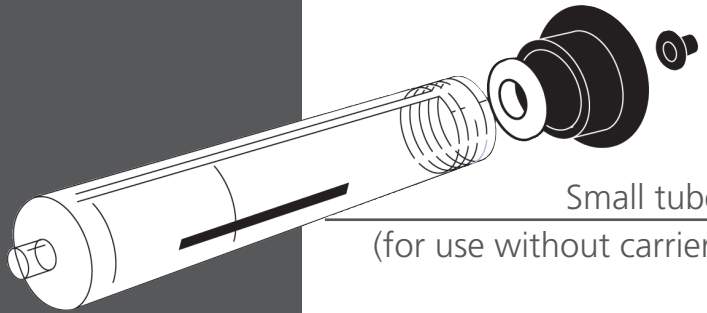
Glassware

Glass hybridisation tubes reduce volumes, simplify washing and improve signals!

- 3 sizes available: small, mini and unique large tubes
- Durable: thick borosilicate glass
- Easy pour: non drip, safe and convenient
- Sealing ring: 'O' ring-sealed end caps ensure no leakage!
- Escape thread on screw cap: easy opening with no vacuum problems
- Tube assemblies: adaptors to hold multiple small glass tubes for increased capacity



Large tube
(for use without carrier)



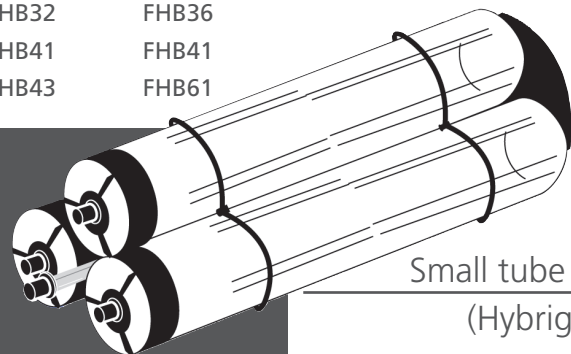
Small tube
(for use without carrier)

Description

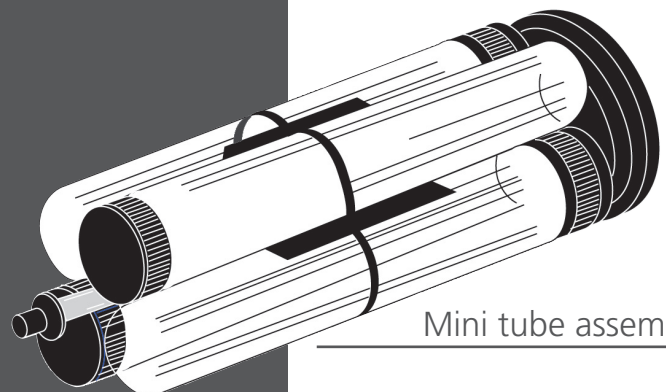
Large (80mm) glass tube without end caps	FHB11	-
Large (80mm) glass tube with end caps	FHB12	FHB16
Small (44mm) glass tube with screw cap	FHB32	FHB36
Mini (32mm) glass tubes with screw caps (pack of 4)	FHB41	FHB41
Multi tube holder for mini tubes	FHB43	FHB61

Product codes

HB1D	Hybrigene
FHB11	-
FHB12	FHB16
FHB32	FHB36
FHB41	FHB41
FHB43	FHB61



Small tube assembly
(Hybrigene only)



Mini tube assembly

Hybridisation Accessories

Hybridisation Incubators

Selectable speed rocking platform

Designed to cater for membrane-bound and slide-bound hybridisations it sits neatly in the base of the unit while still allowing a number of hybridisation tubes to be placed above. Made from stainless steel, the rocking platform enables membranes to be processed using a wave motion. Speed range of 0 to 60 oscillations per minute.

Membrane separators

Strong, re-usable porous mesh sheets for placing between membranes. Ensures even hybridisation when processing multiple hybridisation membranes in one tube. Available in packs of 5 (20 x 20cm)

Hybridisation tube rack

Useful storage facility for tubes during membrane loading or when not in use. Carries up to 3 large and 3 small tubes.

Tube holders

Tube holder with clips designed to carry 8 x 50ml tubes. Ideal for higher throughput of smaller samples (Hybrigene only).



Tube Holder



Rocking Platform

Ordering Information

Product Code	Description
FHB1/PLAT	Rocking platform 0-60opm (HB-1D only)
FHB4/PLAT	Rocking platform 0-60opm (Hybrigene only)
FMEM2020	Membrane separators 20 x 20cm (pack of 5)
FHTRACK	Tube rack holder (holds 3 large and 3 small tubes)
F50ML4TH	Tube carrier with clips to hold 8 x 50ml tubes