



COMPASS™ CX SERIES

Compact Scales



Designed with Energy Efficient Weighing in Mind for Workplace & In-the-Field Weighing

Designed with energy efficiency in mind, the Compass CX series offers a battery life of up to 1,000 continuous hours, allowing for uninterrupted operation. Featuring a slim, stackable and light-weight design, the CX fits ideally in lab, industrial, education, and even household settings. The streamlined two-button operation means that the balance can be operated easily, and large backlit LCD display enables easy viewing of weighing results.

Standard Features:

- **Low Power Consumption Design Allows for Uninterrupted Operation**
Designed with energy efficiency in mind, the Compass CX series features alkaline batteries capable of up to 1,000 hours of continuous use, providing peace of mind for daily weighing applications.
- **Improved Functionality with Large Backlit LCD and Two-Button Operation**
Combined with a simplified two-button operation, the Compass CX's large backlit display increases readability in dim lighting conditions, and makes it easier to view results from a distance.
- **Practical Space-Saving Design for Convenient Storage**
The Compass CX comes in an ingenious space-saving design, which allows you to stack up to 4 scales to save storage space. Additionally, the CX features a standard stainless steel pan for durable use.

COMPASS™ CX SERIES Compact Scales

Model	CX221	CX621	CX1201	CX2200	CX5200
Capacity (g)	220	620	1200	2200	5200
Readability (g)	0.1			1	
Span Calibration Mass (Not Included)	200 g	500 g	1 kg		2 kg
Stabilization Time(s)	1.5		2	1.5	
Construction	ABS housing and stainless steel pan				
Calibration	User-selectable external span / Digital with external weight				
Tare Range	Full capacity by subtraction				
Weighing Units*	g, N, oz, lb:oz				
Application Modes	Weighing				
Power Requirement	3 AA batteries (included) or AC adapter (not included)				
Typical Battery Life	1,000 hours				
Display Type	Liquid crystal display (LCD) with backlight				
Display Size	18 mm				
Pan Size (W × D)	128 × 142 mm				
Balance Dimensions (W × D × H)	135 × 201 × 41 mm				
Shipping Dimensions (W × D × H)	170 × 235 × 55 mm				
Net Weight	0.5 kg				
Shipping Weight	0.7 kg				

*Availability is dependent on model.

Other Standard Features and Equipment

ABS housing, slip-resistant feet, stability indicator, mechanical and software overload/underload protection, low battery indicator, auto shut-off

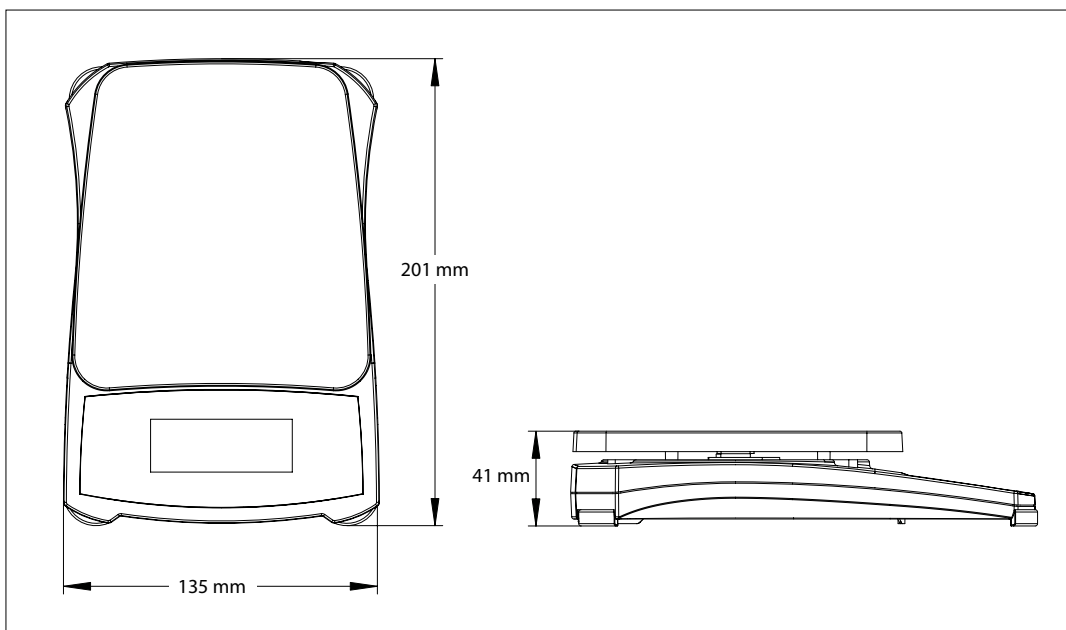
Compliance

- **Product Safety:** IEC/EN 61010-1
- **Electromagnetic Compatibility:** IEC/EN 61326-1 Class B, Basic environments; FCC Part 15 Class B; Canada ICES-003 Class B
- **Compliance Marks:** CE; RCM

Accessories

- Carrying Case30467763
- Bowl, 1050 mL80850075
- Adapter, 5V 1A EU, fixed plug30333866
- Adapter, 5V 1A UK, fixed plug30333867

Dimensions



OHAUS Europe GmbH

Im Langacher 44
8606 Greifensee
Switzerland

e-mail: ssc@ohaus.com
Tel: 0041 22 567 53 19
e-mail: tsc@ohaus.com
Tel: 0041 22 567 53 20

www.ohaus.com

The management system governing the manufacture of this product is ISO 9001:2015 certified.

Europe Literature #



80775680 20181205 © Copyright OHAUS Corporation